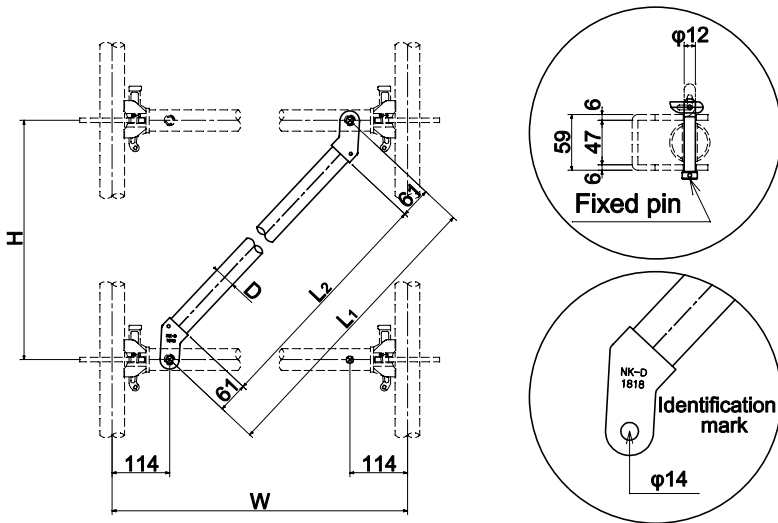


# Exclusive member of NK support system (φ48.6)

## Brace

Code	D size	W size	H size	L <sub>1</sub> size	L <sub>2</sub> size	Weight	Note
NKB1818	φ42.7mm	1,829mm	1,800mm	2,408mm	2,286mm	6.5kg	
NKB1812			1,200mm	2,000mm	1,878mm	5.6kg	
NKB1518		1,524mm	1,800mm	2,217mm	2,095mm	6.1kg	
NKB1515			1,500mm	1,981mm	1,859mm	5.3kg	
NKB1512			1,200mm	1,765mm	1,643mm	4.8kg	
NKB1509			900mm	1,577mm	1,455mm	4.6kg	
NKB1506			600mm	1,427mm	1,305mm	4.3kg	
NKB1218			1,219mm	1,800mm	2,054mm	1,932mm	5.6kg
NKB1212		1,200mm		1,555mm	1,433mm	4.3kg	
NKB1209		900mm		1,337mm	1,215mm	4.1kg	
NKB1206		600mm		1,157mm	1,035mm	3.7kg	
NKB0912		914mm	1,200mm	1,381mm	1,259mm	3.8kg	
NKB0909			900mm	1,130mm	1,008mm	3.5kg	
NKB0906			600mm	909mm	787mm	3.1kg	
NKB0612		610mm	1,200mm	1,258mm	1,136mm	3.7kg	
NKB0609			900mm	976mm	854mm	3.1kg	
NKB0606			600mm	709mm	587mm	2.5kg	

※Brace code: NKB W size H size



### ●Allowable strength of brace

Span	H=1,800mm	H=1,200mm
1,829mm	6.0kN	12.0kN
	0.61t	1.22t
1,524mm	6.0kN	12.0kN
	0.61t	1.22t
1,219mm	6.0kN	12.0kN
	0.61t	1.22t
914mm	6.0kN	12.0kN
	0.61t	1.22t
610mm	3.5kN	7.0kN
	0.35t	0.71t

