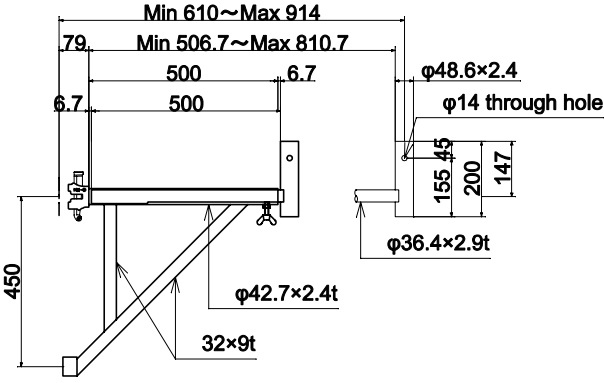
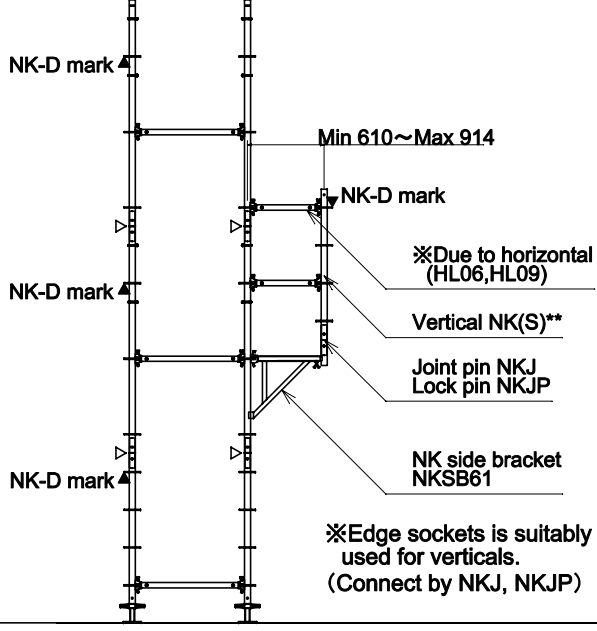
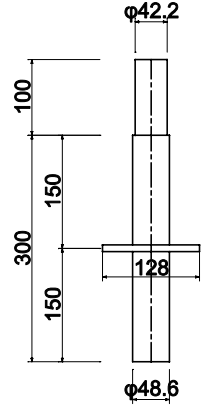
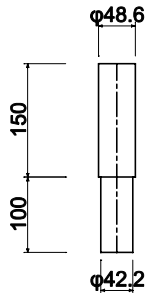
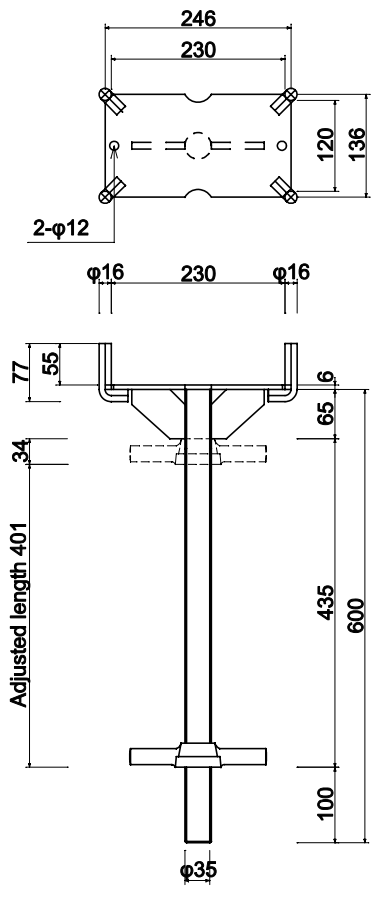


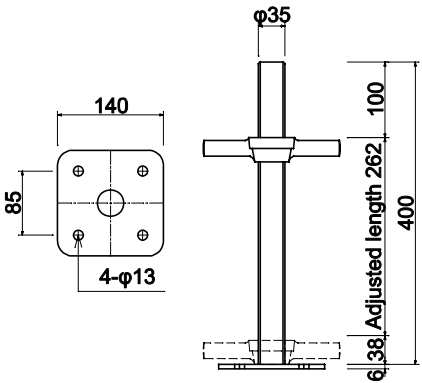
Exclusive member of NK support system (φ48.6)

Side bracket			
Code	NKSB61	Weight	5.8kg
			
<p>● Allowable load 2.0kN (200kg)</p>			
Example of arranging side bracket			

Bottom vertical			
Code	BCK	Weight	2.2kg
			

Upper vertical			
Code	BC150	Weight	1.0kg
			

Upper jack			
Code	TSH2N	Weight	7.5kg
			

Base jack			
Code	A752	Weight	3.7kg
			

Base jack			
Code	A752S	Weight	5.0kg
